



SUPERIOR ELECTRIC NEDERLAND N.V.

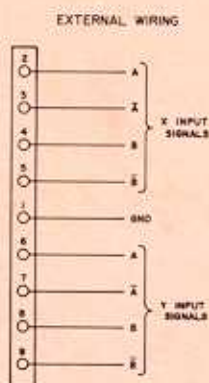
slo-syn
DIGITAL READOUT

- TWO-AXIS, 5- OR 6-DIGIT DISPLAYS
- RESPONSE RATE TO 50KHz
- USE WITH ENCODER MOTORS OR NUMERICAL CONTROLS

The SLO-SYN Digital Readout provides a constant visual check of machine table position, motor angular location or other numerical data. The readout counts pulses from the monitored equipment and displays the total number of pulses on readout devices. Displays are provided for two axes with 5-digit or 6-digit ranges available. Models are available for use with SLO-SYN Encoder Motors, other two-phase photo encoders or high speed SLO-SYN Drives and Numerical Controls.

slo-syn[®] DIGITAL READOUT

The SLO-SYN Digital Readout is mounted in an attractive cabinet designed for bench or shelf-mounting. A plug-in connector is provided for connecting to the input signal source and a cord and plug assembly is supplied for the a-c input. It is recommended that shielded cable be used for the input signals. Controls on the readout panel include an input on-off switch, a Reset button for each axis and a Test button which causes all parts of the incandescent segment readouts to light.



CONNECTION DIAGRAM
MODELS DR5X and DR6X

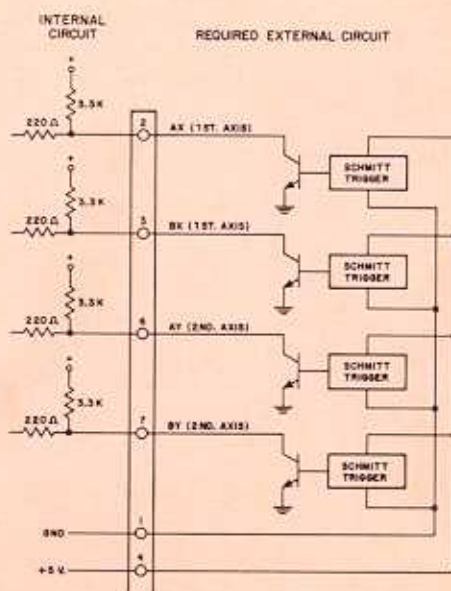
MODELS

	DIGITAL READOUT MODEL	COUNTING RANGE	SIGNAL INPUT
USED WITH SLO-SYN ENCODER MOTOR	DR5EX	0- 99,999	0 to +5 volt, 2-phase in quadrature
	DR6EX	0-999,999	
USED WITH SLO-SYN CONTROLS	DR5X*	0- 99,999	-5 to -40 volt change, 2-phase in quadrature
	DR6X*	0-999,999	

*Adapter EHM144251-G1 also required when used with SLO-SYN N/C. Must be ordered separately.

SPECIFICATIONS

POWER INPUT	210 to 240 volts, 50/60 hertz, 0.25 ampere
SIGNAL INPUT REQUIREMENTS — TWO SQUARE WAVE LINES IN QUADRATURE	
Voltage	see Model chart
Maximum Rise Time	20 microseconds
Input Impedance	200 ohms
TEMPERATURE RANGE	
Operating	0 to +50°C
Storage	0 to +85°C
APPROXIMATE WEIGHT	15 pounds



CONNECTION DIAGRAM MODELS DR5EX and DR6EX

The right to make engineering refinements on all products is reserved. Dimensions and other details are subject to change. When dimensions are critical, detailed drawings should be obtained from the factory.

**SUPERIOR ELECTRIC
NEDERLAND N.Y.**

Koperwerf 33
The Hague, Netherlands

Telephone: (070) 679590

Telex: 31436 Super nl

Cable Address: SUPELEC